

## HIGH EFFICIENCY, ECONOMICAL SOLAR POWER SYSTEMS

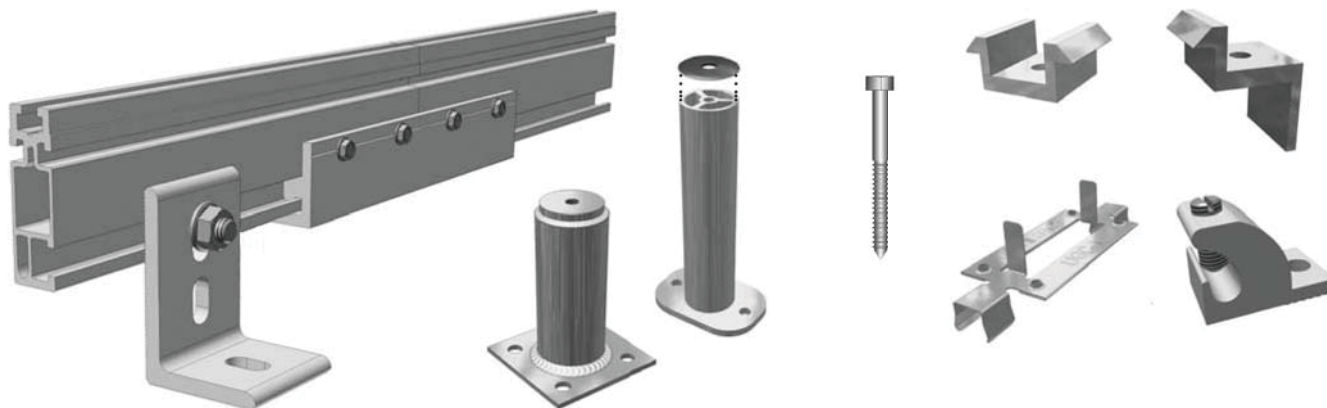
Siliken modules provide an outstanding balance of size and weight to power and performance. Distributed from San Diego, California, these high performance modules reach 15.7% efficiency. Siliken provides a 10 year workmanship warranty in addition to the 25 year warranty on power output.

### BENEFITS AT A GLANCE

- Highly efficient and durable
- Increases the resale value of your property
- Significantly reduces monthly energy bill
- Provides quiet and reliable power generation
- Tax credits and other incentives available
- Reduces pollution and green house gas emissions
- Provides safe and sustainable energy solutions

### FEATURES AT A GLANCE

- Outstanding low light performance
- High power output per square foot
- Bypass diodes for shadow tolerance
- Tempered glass, weatherproof film
- Listed to UL1703
- 25 year warranty on power output at 80%
- Designed to withstand rigorous operating conditions



## SELECT THE MOST APPROPRIATE SIZE FOR YOUR HOME

Solar systems are available in a variety of predetermined sizes to meet your specific electrical needs.

#### **6.86 kW Solar System**

Annual output = 10,950 kWh  
Total cost = \$26,300  
\*Net cost = \$21,155

#### **8.085 kW Solar System**

Annual output = 12,900 kWh  
Total cost = \$30,500  
\*Net cost = \$24,436

#### **9.555 kW Solar System**

Annual output = 15,250 kWh  
Total cost = \$35,500  
\*Net cost = \$28,334

\*After 100% APS incentive. Additional 30% Federal tax credit and \$1,000 State tax credit are also available.

## FINANCING

We now offer 12 months same as cash!

You may finance the Total Cost of the solar system and receive a check from APS upon completion of installation (APS incentive currently at \$0.75/watt).

Or you may assign the APS incentive to Yuma Solar as partial payment!



1161 E. 21 St., Unit C, Yuma, AZ 85365  
(928) 328-8533  
www.yuma-solar.com  
Lic# ROC 234505